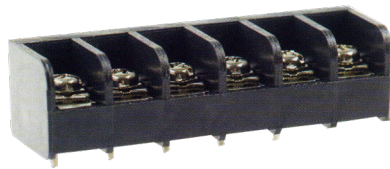


CBP50

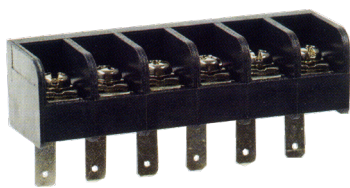
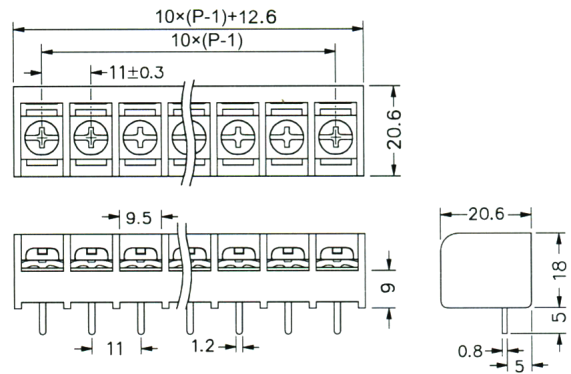
Made in Taiwan

Electrical Rating	15A 300VAC
Housing Material	Plastic NYLON 66, Black (UL 94V-0)
Terminal	Brass, 0.8t Tin Plated
Screw	Steel, M4, Nickel Plated
Working Temperature	-40°C to +105°C
Insulation withstand Voltage	AC2000V at 1 min
Insulation resistance	500MΩ or more at DC 500V
Wire Range	22~12 AWG
Max. Torque Value	18Kg/cm
Number of Poles	2P~32P
Pitch (terminal to terminal)	11mm

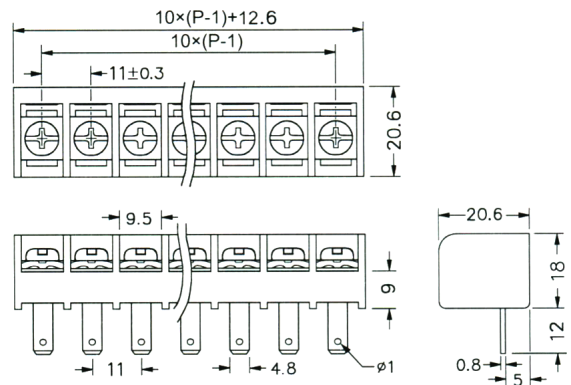
Unit : mm



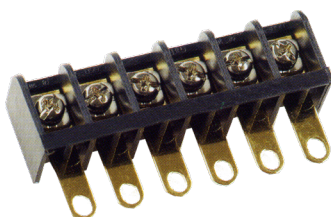
CBP50-01



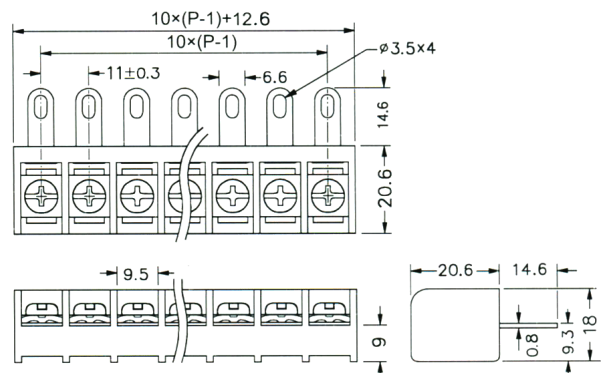
CBP50-02

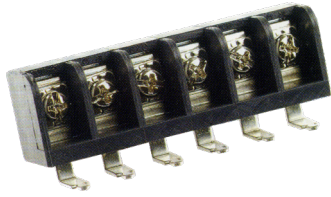


Unit : mm

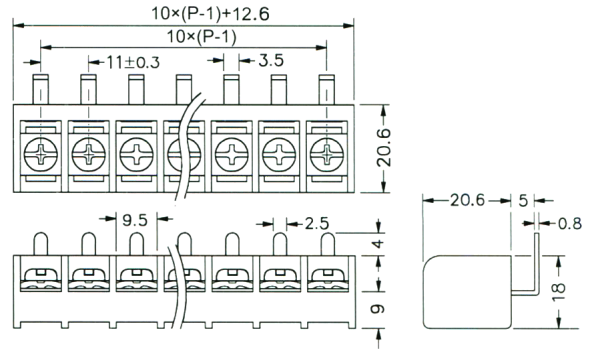


CBP50-03

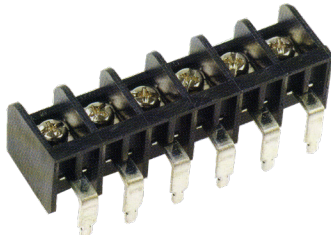




CBP50-04



Unit : mm



CBP50-05

